

OWNERS MANUAL

GEWA Digital Piano **DP 220 G**



Bedienungsanleitung | Owners manual | Mode d'emploi | Manual de instrucciones
www.gewapiano.com



Please read this user manual carefully before operating the instrument and take note of the safety information!
Please keep the user manual for reference purposes.

Manufacturer:
GEWA music GmbH
Werkstraße 1
08626 Adorf
GERMANY

www.gewamusic.com

Version 1.0

Last update 01.09.2016

1	SAFETY INFORMATION	5
1.1	General Information.....	5
1.2	How to use/play the Piano.....	6
1.3	Improper Use	6
1.4	Safety Precautions	7
1.5	CE label	8
1.6	Recycling	8
2	PARTS SUPPLIED WITH THE PIANO.....	9
3	ASSEMBLY INSTRUCTIONS	10
4	GETTING STARTED.....	12
4.1	Piano Controls	12
4.2	Function Keys and Pedals	13
4.3	Connector Panel	15
5	OPERATION	17
5.1	Switching on	18
5.2	DEMO function	18
5.3	Sound selection	18
5.3.1	Split Keyboard Mode	19
5.4	Reverb and Chorus	18
5.4.1	Reverb	18
5.4.2	Chorus and other DSP Effects	19
5.5	Metronome	19
5.5.1	Switching the Metronome on/off	19
5.5.2	Changing the Metronome Tempo	20
5.5.3	Time Signature Change	20
5.5.4	Setting the Metronome Volume	20
6	FUNCTION MENU	20
6.1	Settings Menu	21
6.2	Transpose	21
6.3	Fine-tune	22
6.4	Keyboard Dynamics Sensitivity	22
6.5	Balance Settings	22
6.6	Brilliance Settings	23
6.7	MIDI TX channel	23
6.8	Local on/off Switch	23
6.9	Program Change Function	23
6.10	Piano Mode	23
6.11	Changing Temperaments	24
6.11.1	Changing the Temperament Reference Tone	24
6.12	Setting the String Resonance	24
6.13	Setting the Damper Resonance	24
7	RECORD AND PLAYBACK FUNCTION	25
7.1	Defining the Recording Mode	25
7.2	How to record Songs	25
7.3	Playing back Recordings	25
7.4	Deleting Recordings	25

8	CONNECTING ACCESSORIES	26
8.1	Connecting Headphones	26
8.2	Connecting a Playback Device	26
8.3	Connecting an external Amplifier	26
8.4	Connecting a PC	26
9	ADDITIONAL INFORMATION	27
9.1	Glossary	27
9.2	Warranty	28
10	TROUBLESHOOTING	29
11	TECHNICAL INFORMATION	30

Dear Customer,

Thank you for purchasing our GEWA DP 220 digital piano!

With the GEWA DP 220 you have selected a top quality digital digital piano, giving you a highly impressive sound and playing experience with a huge extra set of additional and easy-to-use sounds and functions.

Your safety is very important to us! So please read the safety information carefully and take good note of the given information.

We suggest you to keep this user manual at a safe and known place, and to pass it on to a new owner or user of your DP 220.

1



NOTE

SAFETY INFORMATION

The manufacturer cannot be held liable for injury to persons or damage to property resulting from incorrect use of the device!

Only use your digital piano in accordance with the instructions given here!

1.1

SYMBOLS USED IN THE MANUAL

The following symbols are used to signal risks and to give advise:

Level of Risk	Symbol	Bedeutung	Definition
Serious Injuries		WARNING	Failure to observe the following safety instructions can result in serious injury or death.
Electrical Hazard		WARNING	Failure to observe the following safety instructions can result in serious injury or death by electrical hazards.
Minor Injuries and device damage		CAUTION	Failure to observe the following safety instructions can result in minor injuries and/or device damage
Notes		NOTE	Helps to avoid the injuries and damaging of the piano
Hints		HINT	Hints for optimized handling of your GEWA digital piano

1.2 HOW TO USE/PLAY YOUR GEWA DIGITAL PIANO IN THE RIGHT WAY

Please keep your digital piano in a dry environment.

- Audio accessories for audio playback (connected to the pianos in- or output) or for data communication can be connected. Accessories must match the relevant technical specifications (please therefore see chapter 11, technical data).
- Only and always use GEWA certified power adapters, and make sure that they are properly attached and connected. The power supply used must also meet the country voltage specifications (check plate on the adapter).
- The digital piano is only to be used as originally delivered. Any modifications to the piano are not allowed and result in a complete loss of warranty.
- The digital piano must be set up on safe weight-bearing, stable and even ground or platform able to support the weight (please therefore see chapter 11, technical data).

1.3 IMPROPER USE

- Exposing the digital piano to an open air or moist/rainy environment
- Setting up the piano in damp rooms
- Using power supplies not authorized by GEWA music, or connecting the piano to an electrical outlet in spite of mismatching local voltage specifications
- Playing the piano close to electrical or electronic devices, such as stereo systems, TV sets, radios or mobile phones. These devices can cause interferences and seriously effect and decrease the sound quality of your GEWA digital piano.
- Using extensively long audio leads can likewise interfere with the sound quality.
- Transport and setup up in conjunction with strong vibrations and shocks, dust and heat exposure (e.g.in vehicles or direct sunshine or both), should also definitely be avoided.



NOTE

The manufacturer cannot be held liable in case of damages in the following cases:

- Non-compliance with the safety instructions
- Improper handling
- Connecting incompatible in/output devices etc. or other 3rd party interface devices.

1.4

SAFETY PRECAUTIONS

Always follow the safety precautions given here. Non-compliance with the safety precautions may have serious consequences:

- Serious injury or even lethal accidents
- Electric Hazard
- Short circuits
- Damage
- Fire

Further and other risks are possible, therefore this list does not claim to be complete.

**WARNING****Electric hazard**

- Even low electric currents can lead to serious injuries and even death!
- Never open the digital piano.
- Never use damaged power supplies/cables.
- Install power supplies/cables firmly to avoid the risk of damage.
- Never place containments filled with water or liquids (vases, glasses etc.) on or near the piano.
- Never insert water or liquids into the digital piano or the keyboard.
- Never clean the digital piano with a wet cloth.
- Never plug in or unplug the piano with wethands and never pull on the cable as it may be damaged.
- If liquids or water accidentally get into the digital piano, unplug it immediately. In all of the above cases have the digital piano checked by your authorized GEWA customer service.

**WARNING****In case of unexpected and unusual behavior of the piano**

- Switch the digital piano off or unplug it immediately if:
 - there is a sudden loss of sound while the piano is in use,
 - the digital piano emits an unusual smell or smoke.
- It is essential to have the digital piano checked by your GEWA customer service.

**WARNING****Fire prevention**

- Open flames such as from candles or oil lamps can tip over and cause a fire.
- Never bring open fire on or near to the digital piano!

**CAUTION****Damaging the digital piano**

- Mismatching electrical voltages can damage the digital piano. Operate the digital piano only within the correct voltage range (marked on the corresponding specs plate).
- Only use the power supply and power cable supplied with the device.
- Never place the power cable near to heat sources such as radiators or radiant heaters.
- Do not sharply bend the cable, or damage it otherwise (!risk of cable break!).
- Position the power cable in a way to avoid tripping or anything heavy rolling over it.
- Do not place any objects on the power cable.
- Check the power supply regularly and remove any visible dust or dirt on the device.

**CAUTION****Thunderstorms can also damage your GEWA digital piano**

- Thunderstorms can produce electrical surges able to damage your digital piano
- During thunderstorms, or if you will not use your digital piano for a while, we suggest you to unplug your digital piano completely from the electrical system.

1.5

CE LABEL



Your GEWA digital piano complies with the requirements of the EU directives:

2004/108/EC on the approximation of the laws of the Member States relating to electromagnetic compatibility and repealing Directive 89/336/EEC. Compliance with the above directives is confirmed by the CE label on the device. The declaration of conformity can be viewed at the following address:

GEWA music GmbH
Werkstraße 1
08626 Adorf
GERMANY

1.6

RECYCLING



In case your digital piano needs to be disposed, take it to your local community waste management service location (e.g. disposal companies, recycling centers).

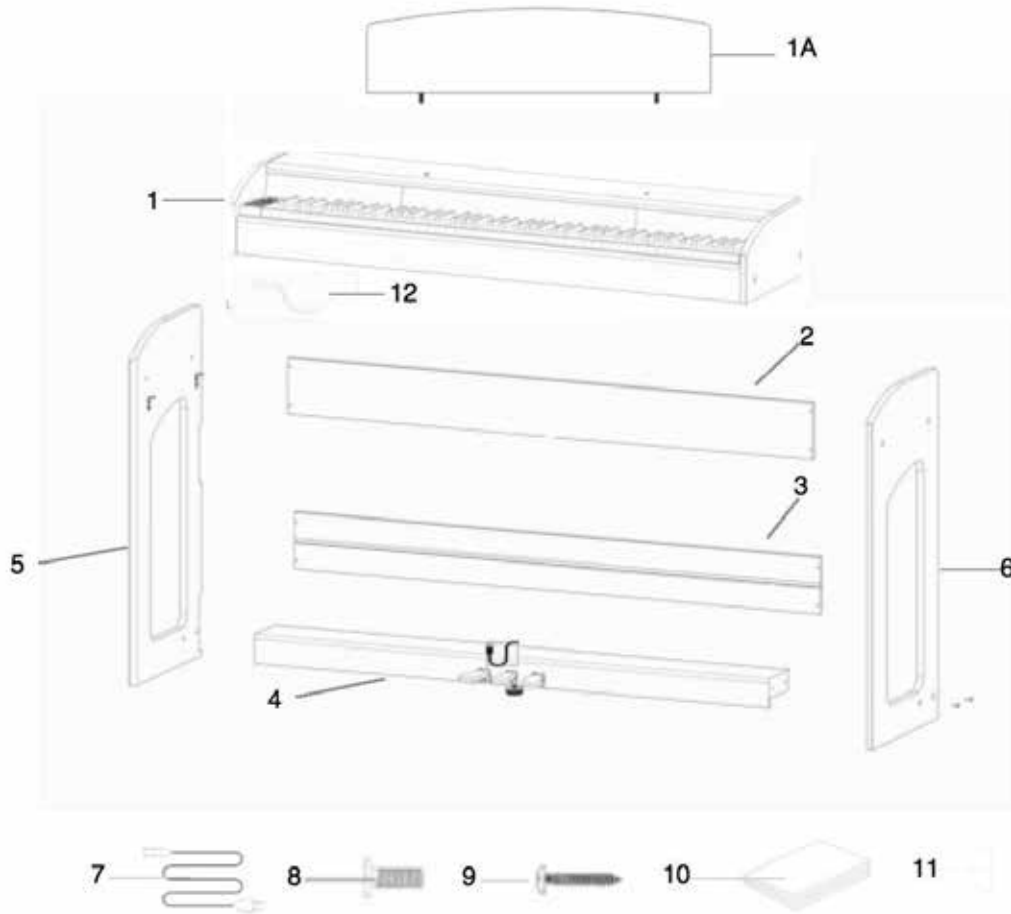
The displayed symbol requires that devices labeled with this symbol must be disposed separately from household waste. Under the Electrical and Electronic Equipment Act, owners of devices marked with this symbol are required by federal law to deposit waste electrical and electronic equipment in a separate waste collection.

Please help us with your contribution to protect the environment by not depositing your old electric equipment with the general household waste.

2

PARTS SUPPLIED WITH THE PIANO

Check the content of the package for completeness before starting with the assembly.



Pos.	Description	Pcs
1	Console with keyboard	1
1A	Music rest	1
2	Rear panel	1
3	Pedalboard bracing	1
4	Pedal board with connector cable	1
5	Left side panel	1
6	Right side panel	1
7	Power supply and cable	1
8	Recessed head screw M6	9
9	Recessed head wood screw	8
10	Manual	1
11	Plastic screw covers	17
12	Headset rest	1

3

ASSEMBLY INSTRUCTIONS

In this section we will show you how to easily set up your GEWA digital piano.

For the assembly you need:

- size 2 Phillips screwdriver
- second assisting person

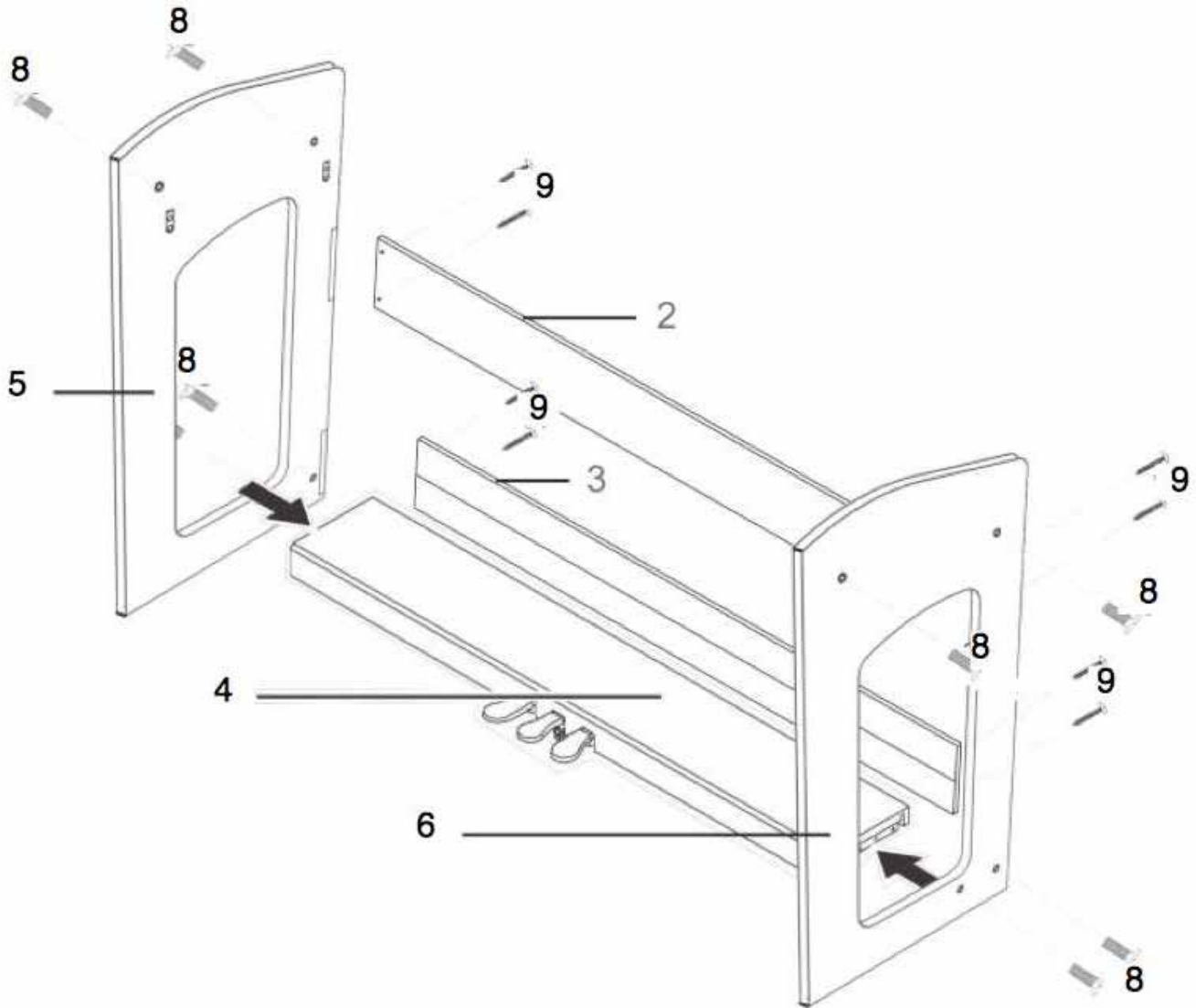


NOTE

Do not firmly tighten the recessed head screws until all parts of your digital piano are aligned. Make sure you assemble your digital piano on level ground.

Now lets start assembling your GEWA digital piano:

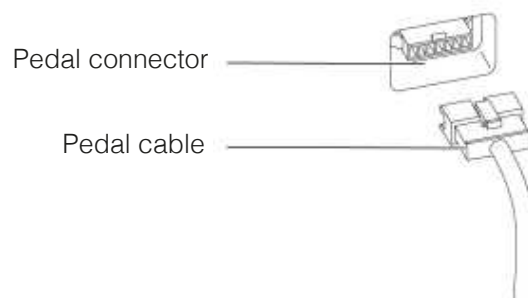
1. Release and unfold the wound up pedal cable (without illustration).
2. By using the recessed head screws M6 (10), connect the side panels (6 and 7) with the pedal board (4).
3. Apply the bracing of the pedal board (3) to the backside of the pedal board so that it snaps into the notch. Then screw it on using 4 recessed head screws.
4. Now screw on the bracing on to the back rear panel (2) with 4 recessed head screws.
5. Insert the console from above and flush mount it with the front edge. The console must lie flat on the screwed-on brackets for stability reasons. Then screw on the console (1) with 4 recessed head screws. You can now screw on the headphone rest on the left front bottom side of the digital piano.
6. Level your digital piano and tighten all recessed head screws (6).
7. Place the plastic covers on all side panel boreholes (6 and 7).



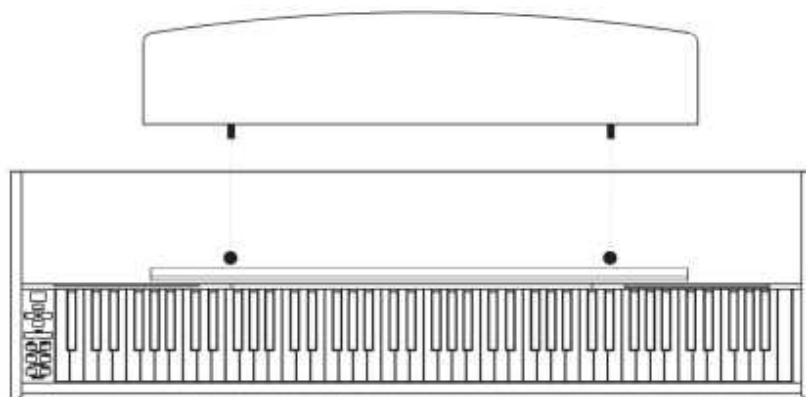
8. Now take your digital piano to its final position in the room and unscrew the support underneath the pedal board until it reaches the floor



9. Plug in the pedal board cable in the right way (it should slide on easily without the use of force) to the socket on the bottom side of the console (1) and plug the power supply (8) into the power socket on the rear of the piano (without image).



10. Now attach the music rest (1A) as shown to the console (1).



FOR KEYBOARD STAND USE



NOTE

It is also possible to use a keyboard stand in stead of the console. In this case place the keyboard stand on level ground and position it centrally. If possible the speakers on the bottom of the piano should not be touched by the stand. For the connection with a standard sustain pedal you can use the 6,3mm jack socket on the rear panel.

4

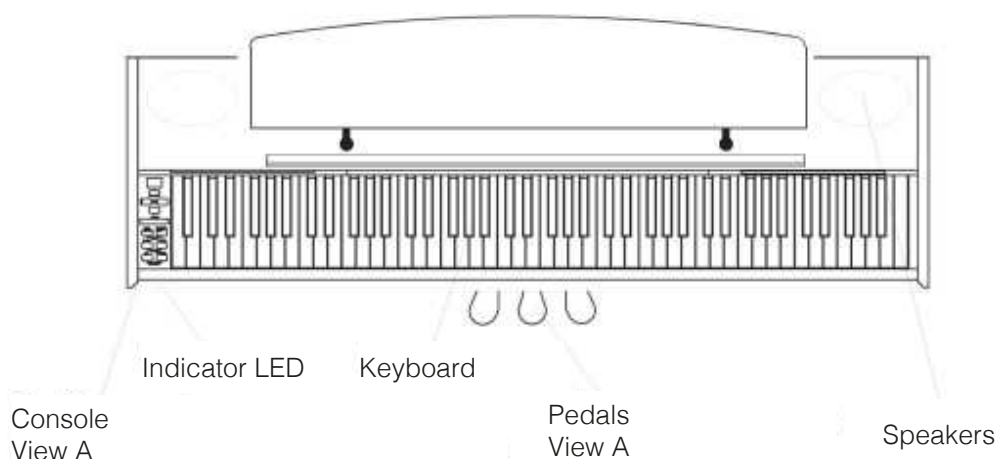
GETTING STARTED

Now let's have a look on to the controls of your GEWA digital piano

4.1

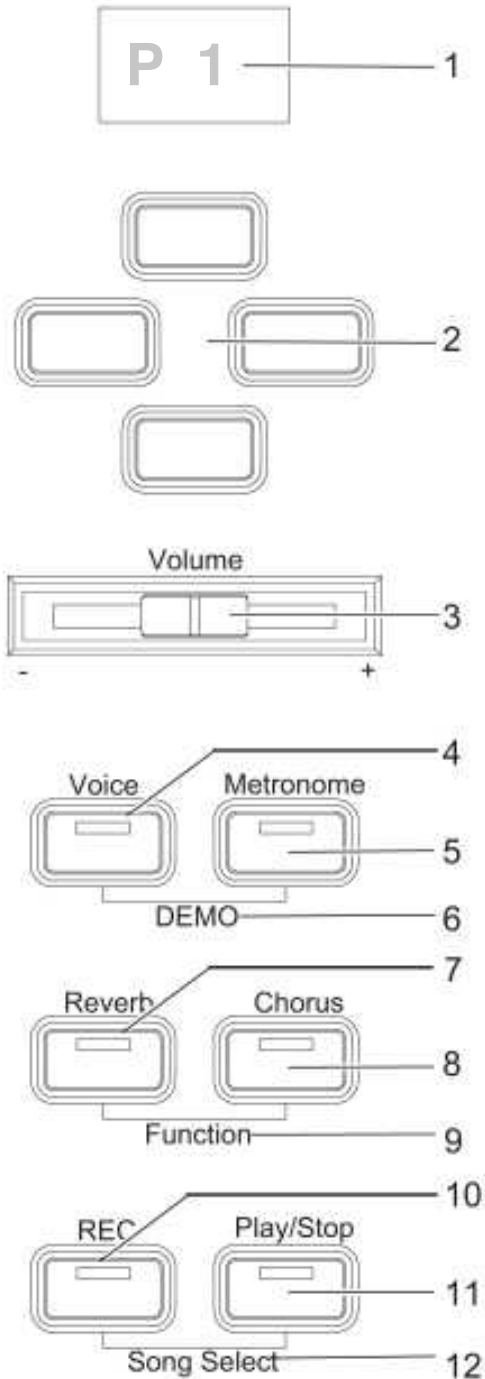
THE CONTROLS OF YOUR DIGITAL PIANO

Your GEWA digital piano has the following controls:



4.2 FUNCTION KEYS AND PEDALS

View A



1 Display

provides settings information.

2 Cursor keys

Navigate through the functions and edit settings.

3 Volume

Set the volume.

4 Voice (only function access)

Select the various sounds of your digital piano (see Page 17).

5 Metronome (only function access)

Switches the metronome on or off (Page 19).

6 DEMO (only function access)

Press the Voice- and Metronome buttons simultaneously, to enter the DEMO songs menu (Page 17).

7 Reverb (only function access)

Change and edit the reverb room simulation parameters (Page 18).

8 Chorus (only function access)

Add DSP (Digital Sound Processing) effects to the sound (Page 19).

9 Function (only function access)

Activate the Function-Menu to edit settings (Page 20).

10 REC

Start the recording (Page 25).

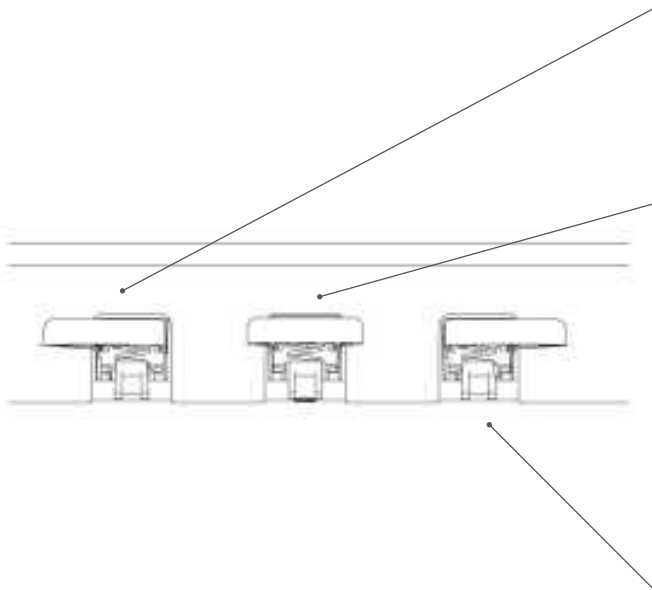
11 Play/Stop

Start/Stop the playback of the recorded pieces (Page 25).

12 Song Select

Push the REC- and Play/Stop-Keys simultaneously, to select a recorded song (Page 25).

View B



Una corda pedal (left)

The una corda pedal (soft pedal) simulates moving the pianos key mechanics closer to the stringboard, resulting in a more quiet and softer sound.

Sostenuto pedal (center)

The sostenuto pedal function is similar to the damper pedal function. When depressed while playing a key or a number of keys, this key or the keys is/are sustained until the pedal is released again. Unlike the damper pedal It sustains only those notes that are being held down when the pedal is depressed, allowing future notes played to be unaffected.

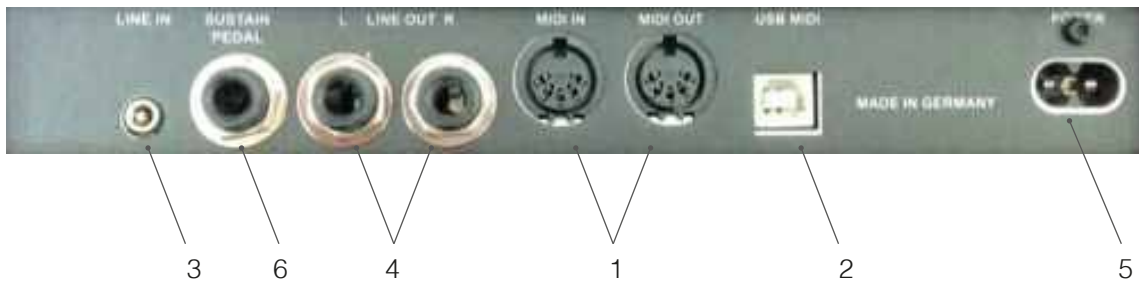
Damper/sustain pedal (right)

The damper/sustain pedal simulates the removal of the dampers from the strings like on an acoustic piano. Sounds that are played after pressing the damper/sustain pedal sound considerably longer. Includes also half-pedaling techniques.

4.3 CONNECTORS (REAR SIDE OF THE CONSOLE)



THE CONSOLE - REAR SIDE CONNECTORS (C)



View A



2 headphone outputs (6.3 mm jack)

Connect your headphones here.

View B



Pedal cord jack

Connect the pedal cord here.

View C

1 MIDI-connector

Connect MIDI devices here to utilize the MIDI functions of your digital piano.

2 USB-B connector

Connect your digital piano to your PC with this interface.

3 LINE IN

Connect an output device (e.g. MP3 player) to your digital piano here. The signal is looped through your digital piano for a combined output with the sounds being played. This can be used e.g. for Playback accompaniment in rehearsals.

View C	4 LINE OUT R/L	Connect these outputs with a receiving audio device (e.g. amplifier or recording device) to e.g. record your playing on an audio recording/playback device.
	5 Mains Power Supply	Connect your digital piano with the supplied power adapter.
	6 SUSTAIN	6.3 jack socket for the connection of any standard sustain pedal OR the supplied pedal.



NOTE

The LINE IN and LINE OUT connectors are defined as separate stereo channels L(left) and R(right). Use appropriate wiring to output or input stereo audio signals. (3.5 mm stereo jack)

5

USING/PLAYING YOUR GEWA DIGITAL PIANO



NOTE

All edited settings will be reseted to the factory settings when you switch off your piano and back on again, except for balance, brilliance and volume control settings.

5.1

SWITCHING ON



TIP

Set the volume control to the middle position before switching the piano on.

1. Press the On-/Off switch on the left side underneath the console of your digital piano.
2. The LEDs of the Reverb- and the Voice-keys are illuminated. The front of the digital piano indicator LED lights up.
3. Your GEWA digital piano is now ready to play.

5.2

DEMO FUNCTION

The DEMO function provides an overview of the various sounds of your digital GEWA digital piano.

This is how to activate the DEMO song function:

1. Press the Voice- and Metronome-keys simultaneously. This will display the number of the active DEMO-song.
2. Press the upper and lower cursor keys, to choose from the different DEMO-songs.
3. Press the Play/Stop-key, to start or stop the playback of a DEMO song. You can play along to a DEMO-song on your digital piano.
4. Press the Voice-key to end the DEMO-mode.

5.3

SOUND SELECTION

Your digital piano features 20 exclusive sounds:

Sounds 1 - 10		Sounds 11 - 20	
Display	Sound	Display	Sound
P1	Piano 1	Cho	Choir
P2	Piano 2	Sy1	Synth Strings 1
P3	Piano 3	Sy2	Synth Strings 2
P4	Piano 4	OG1	Organ 1
HAr	Harpsichord	OG2	Organ 2
EP1	E-Piano 1	OG3	Organ 3
EP2	E-Piano 2	Git	Guitar
EP3	E-Piano 3	CL	Clavinet
EP4	E-Piano 4	Vib	Vibraphone
Str	Orch. Strings	Acc	Akkordion

Press the Voice-key and then press the left or right cursor key, to switch to the different sounds. The momentarily chosen sound is shown in the display.

5.3.1 SOUND COMBINATIONS

You can set your digital piano to a mode so that two different sounds can be played simultaneously during your performance.

This is how you can combine two sounds :

1. Choose a sound (as already described).
2. Hold the voice-key depressed for approx. 2 seconds. The LED of the voice-key will start blinking. The display will indicate the sound.
3. Navigate with the upper or lower cursor to an additional sound of your choice.
4. You will now hear both sounds simultaneously.
5. The volume ratio of the two sounds can be set in the keys or keyboard balance-settings (see page 22).
6. Press the Voice-key to end the dual mode and hit either the left or right cursor button until „off“ is shown in the display

5.4 REVERB AND CHORUS



NOTE

Your digital piano has the possibility to mix in various special effects to the sounds with the reverb or chorus feature

- Some sounds already feature a factory preset reverb or chorus effect making the sound more lively and realistic.
- You can deactivate or edit the effects as described.
- The edited effect settings remain active until the digital piano is switched off. When the instrument is switched back on, all factory settings are set back to their factory default values .

5.4.1 REVERB

The reverb (or hall-) effect simulates the sound in various room environments. Your digital piano comes with the following reverb effects:

Display reading	Description
R01	Sounds like in a medium size living room
R02	Simulates a slightly larger room
StG	Stage / Club simulation
HA1	Concert hall
HA2	Cathedral type experience

Press the reverb and the effect on/off button. The reverb effect is active when the led light of the reverb button lights up. If the reverb function has been activated, the current effect setting will be shown in the display. You can then choose an effect with the left or right cursor button. With the upper or lower cursor buttons the effect room size can be edited. Changes become effective immediately.

5.4.2 CHORUS AND OTHER EFFECTS

The chorus-function contains the following effects:

Display reading	Name	Description
CH1	Chorus1	Adds an ensemble effect to the sound
CH2	Chorus2	Like (1), but more intense
FLG	Flanger	Similar to a chorus effect with a slight pitch modulation
PH1	Phaser1	Similar to a chorus effect with a slight frequency phase modulation
PH2	Phaser2	Like (PH1), but more intense
TR1	Tremolo1	Periodical sound volume modulation
TR2	Tremolo2	Like (TR1), but more intense
rot	Rotary	Simulates a rotary speaker cabinet. Fits well with Organ sounds

Press the Chorus button, to switch the effect on or off. If the chorus effect is active, the LED on the chorus-key lights up. Once you have activated the chorus function, you can choose an effect with the left and right Cursor buttons and set the intensity with the upper and lower cursor buttons. Changes of the effect and edits within an effect become effective immediately.

5.5 METRONOME

Your digital piano has abuilt in metronome

The metronome features 7 different beats (1/4, 2/4, 3/4, 4/4, 5/4, 3/8 and 6/8), the volume can be adjusted and set from 32 to 250 bpm (beats per minute).

5.5.1 SWITCHING METRONOME ON/OFF

1. Press the metronome button, the metronome button LED lights up.
The metronome is now activated.
2. By again depressing the metronome button the LED light will go off.
The Metronome is now deactivated.

5.5.2 CHANGING METRONOME SPEED

1. Switch on the metronome.
2. Press the upper or lower cursor keys to increase or decrease the speed in steps of 10 or push the left or right cursor key, to increase or reduce the speed in single steps. The selected beat and/or speed shows in the display.

5.5.3 BEAT TYPE CHANGES

1. Hold the metronome button depressed. The beat will be displayed.
2. Press the right or left cursor button to choose a beat.
3. Release the metronome button. The selected beat is now ready to play.

5.5.4 SETTING METRONOME VOLUME

1. Hold the metronome button depressed. The beat will be displayed.
2. Press the upper or lower cursor buttons to set the volume of the metronome.
3. Release the metronome button. The selected metronome volume will now be displayed.

6

FUNCTION MENU

All the edited settings are reset to factory settings when the digital piano is switched off and back on again. In the function menu you can change numerous settings. To enter the function menu, press the Reverb and Chorus button simultaneously.



NOTE

Navigation within the Function menu:

1. Push the Reverb and Chorus button simultaneously. In the display the abbreviation of the relevant setting will blink alternating with the momentary setting.
2. Press the left or right cursor button to change from setting to setting.
3. Press the upper or lower cursor button to change the settings properties. Changes of the properties become effective immediately.
4. Press the Reverb key to leave the menu.

6.1 INDEX SETTINGS

Display reading	Description	Ranges / Values
trA	Transpose (-> page 21)	-6 to 6
tun	Fine tuning (-> page 22)	270 to 530 (5 steps)
tch	Keyboard dynamic range (-> page 22)	Std / Lit / Art / OFF
bal	volume balance for split and dual mode settings (-> page 22)	1-5 to 5-1
bri	Brilliance (-> page 22)	-6 to 6
L.In	Line In / Volume	0-20
Lcl	Local Control (-> page 23)	ON / OFF
tr.C	MIDI-transmit channel (-> page 23)	1-16
PG.C	Program Change Function (-> page 23)	ON / OFF
PM.D	Piano-Modus (-> page 23)	ON / OFF
tMP	Change the tuning temperament (page 24)	Equ / MAJ / Min / Pyt / NEA / N53 / bG3
Rt.n	Change the temperamen tbase key (-> page 24)	C / C' / d / d' / E / F / F' / G / G' / A / A' / b
Sy.n	Adjusting the string resonance (-> page 24)	0-20
dmP	Sustain pedal resonance (Piano-Sound)	0-20

6.2 TRANSPOSE / TRANSPOSING

If you would like to play in in another key (to e.g. adjust to a singer or another instrument), this can be achieved with the transpose feature increasing or decreasing the pitch in 6 half tone steps.

This is how you to transpose your GEWA digital piano:

1. Enter the function menu (Page 20). The display will the following blinking and alternating readings "trA" and "0".
2. Touch the upper or lower cursor button to change the pitch. You can verify the pitch while changing it on the keyboard.
3. Once you've found the right pitch simply push the Reverb button to leave the Function menu.

6.3 FINE TUNING OF SOUNDS

The sounds of your digital piano can be fine tuned in the following way:

1. Enter the Function-Menu (-> Page 20).
2. Press the left or right cursor button until "tun" appears in the display.
3. Press the upper or lower cursor button to change the tuning of your digital piano.
4. Press the Reverb button, to leave the Function menu.

6.4 TOUCH-FUNCTION / KEYSTROKE SENSITIVITY

With this feature you can change the keyboard sensitivity. The lighter sensitivity you set the less force you will need to play louder.

This is how you change the keystroke sensitivity of your digital piano:

1. Enter the Function menu (Page 20):
2. Press the right or left cursor button until "tch" and "MED" appear alternately in the display.
3. Press the upper or lower cursor button to set the required keyboard sensitivity.
4. Press the Reverb button to leave the Function menu.

The following keyboard sensitivity levels are available:

- Std: Medium sensitivity (Standard setting).
- LiT: Lowest sensitivity.
- Art: High dynamics combined with a high resistance
- Off: With each keystroke the same sound volume is played. This option is especially suited for organ playing.

6.5 BALANCE SETTINGS

With the balance-settings you can edit the volume ratio between two combined sounds (page 18).

Follow these steps:

1. Enter the Function menu (page 20).
2. Press the left or right cursor button until "bal" appears in the display.
3. Set the required volume with the upper and lower cursor buttons.
4. Press the Reverb button to leave the Function menu.

6.6 BRILLIANCE-SETTINGS

To reach an even brighter sound, please follow these steps:

1. Enter the Function menu (Page 20).
2. Press the left or right cursor keys until "bri" appears in the display.
3. Set the required brilliance with the upper or lower cursor buttons.
4. Press the Reverb buttons to leave the Function menu.

6.7 MIDI-TRANSMIT CHANNEL

With the MIDI-transmit channel you can determine on which MIDI channels (1-16) signals from your digital piano are transferred to or received from external MIDI devices. This defines the MIDI channels for sounds being played on the right side of the key-split point and also for basic sounds in the Dual Sound mode before choosing the next layered sound. Sounds on the left side of the key-split and added layered sounds will be automatically fitted with the next available MIDI channel

Example:

If channel 4 is set as the MIDI-transfer channel, keys on the right side of the key-split point and base sounds in Dual Mode layered sounds are set to channel 4, while sounds on the left side of the key-split point and sounds added to the base sounds of a layered Dual mode sound are then transferred on channel 5.

6.8 LOCAL CONTROL

The local Control-Function enables you to mute the built in speakers of your digital piano, while signals are still transferred via MIDI OUT-connection. This is very useful if you would like to control/play another instrument from the keyboard off your digital piano without, at the same time, hearing the sound of the digital piano.

6.9 PROGRAM CHANGE-FUNCTION

The program change function lets you change a sound program on a MIDI connected instrument from your digital piano.

6.10 PIANO-MODE

In the piano-mode you determine how incoming MIDI data of channels 1 and 2 are processed.

If the Piano-Mode is switched (ON), channels 1 and 2 are enriched with Piano compatible effects, if a piano sounds is selected. The Chorus-Effect is not available for channels 1 and 2 when the piano mode is activated. For channels 3-16 there is no piano effect available except for the GM-Chorus. If the piano mode is deactivated, the piano effect is not available for any of the 16 MIDI channels. Still the the GM-Chorus-Effect can be added on to all channels.



NOTE

By default the Piano Mode is set to "ON"

6.11 CHANGING THE TUNING TEMPERAMENT

You can change the tuning temperament of your digital piano to e.g. play music from “pre-Bach” (well tempered) époques with highest possible authenticity.

To do this, proceed as follows:

1. Enter the Function menu (Page 20).
2. Press the left or right cursor buttons until “tMP” appears in the display.
3. With the up and down cursor buttons you can set the desired tuning temperament.
4. Press the Reverb button to leave the Function menu.

6.11.1 CHANGING THE REFERENCE TONE OF THE TEMPERAMENT

In addition to the tuning temperament you can change the reference tone of the temperament.

To do this, proceed as follows:

1. Enter the Function menu (Page 20).
2. Press the left and right cursor button until “rt.n” appears in the display.
3. With the up and down cursor button set the desired reference tuning.
4. Press the Reverb button to leave the Function menu.

6.12 SETTING THE STRING RESONANCE

Your GEWA digital piano simulates the resonance behavior of strings in relation to the keys being hit on an acoustic piano.

You can set the resonance behavior as follows:

1. Open the Function menu (Page 20).
2. Press the left and right arrow keys until “SY.n” appears in the display.
3. With the up and down cursor button you can set the desired string resonance.
4. Press the Reverb button to leave the Function menu.

6.13 SETTING DAMPER RESONANCE

Here you can set the string resonance behavior (Page 24) when depressing the damper pedal.

To do this, proceed as follows:

1. Enter the Function menu (page 20).
2. Press the left or right cursor button until “dmP” appears in the display.
3. With the up and down cursor button you can set the desired damper resonance.
4. Press the Reverb button to leave the Function-Menu.

6.14 LINE IN VOLUME SETTING

This function defines the volume level of devices connected to the Line In of your GEWA digital piano (view C / 3)

7

RECORD AND PLAYBACK FUNCTION

Your GEWA digital piano can record your playing. It can store up to three pieces of music.

7.1 CHOOSE THE RECORDING MODE

To activate the recording mode please follow these steps:

1. Enter the Song-Select-Menu, by pushing the REC- and Play/Stop-keys simultaneously.
2. Choose the storage location with the upper or lower cursor buttons (display will show SN.1 to SN.3).
3. Confirm your selection by pressing the REC button.

7.2 RECORDING SONGS



NOTE

Recorded songs are not automatically erased when switching your digital piano off.

You may need to erase a song if all storage locations are already occupied. Follow the steps as described on page 25, "Erasing of recordings".



NOTE

Proceed as follows when recording your playing:

1. Choose a recording file (page 25).
2. Once you've chosen a recording file the LED of the REC button lights up while the LED of the Play/Stop button is blinking.
3. By starting to play on the keyboard the recording will automatically start with the first note being played.
4. Press the Play/Stop-key to stop the recording. The recording is automatically filed.

7.3 PLAYBACK OF RECORDINGS

There must already be stored recording before starting a Playback. Therefore please choose the relevant recording file.

While a recording is being played back you can play along with the recording.



NOTE

A fantastic way to play four hand literature without a real second player



TIP

1. Select the recording (page 25).
2. Press the Play/Stop button, to start the play.
3. Press the Play/Stop-key again, to stop the playback.

7.4 DELETING RECORDINGS

This is how it is done:

1. Select a recorded song (page 25).
2. Press and hold and hold the REC button until "YES" appears.
3. Press the right cursor button, to erase the recording or discontinue with the REC button.

8

CONNECTING PERIPHERALS

Here you can learn more about the connection options for your GEWA digital piano.

8.1 CONNECTING HEADPHONES

Connect one or two headphones to the two 6.3 mm jack connectors under the console.

If headphones are connected to either one of the headphone output connectors, the speakers of your GEWA digital piano are automatically deactivated and will only be reactivated after you have removed the headphone/s. Make sure both connectors are unplugged.



NOTE

8.2 CONNECTING A PLAYBACK DEVICE

You can connect playback devices such as e.g. a CD or MP3 player to your digital piano. This can be helpful when you are rehearsing a song in Playback mode. When properly connected you will be able to hear both, the piano and the Playback device either through the piano speakers or connected headphones. You can control the volume balance easily with the volume control.

8.3 CONNECTING AN AMPLIFIER

If you need your digital piano to play louder than with the built in speakers, you can easily connect it to an amplification system using the LINE OUT outputs under the console.

8.4 CONNECTING A PC

You can link your digital piano with your PC with the USB-B connection under the console.

This is how you can link your PC with your digital piano:

1. Switch off your digital piano and the PC.
2. Connect your digital piano with your PC with a certified USB lead.
3. Switch on your digital piano and the PC.

Your digital piano will be automatically recognized by your PC. There are various appropriate software tools (e.g. recording software) on most available operating system platforms and devices with which you can enjoyably extend your musical experience.



NOTE

To check the details on the data exchange between your digital piano and the PC, it is recommended that you use the PC software provided monitoring tools.

9

USEFUL INFORMATION

At this point we would like to explain a few terms that are used in our user manual. Additionally we explain the special features of your digital piano.

9.1

EXPLANATION OF TERMS

Term	Definition
MIDI	<p>Musical Instrument Digital Interface is a data transfer protocol. With this, musical control information is transferred between electronic instruments such as digital pianos, keyboards, synthesizers, drum computers or even PCs or laptops. To exchange this control information, the instruments/ computers require MIDI connections and a link must be established between them. There are different MIDI connections with various functions: MIDI-IN (input), MIDI-OUT(output) and MIDI-THRU. The last one routes received data untouched from MIDI to be used for other MIDI device. Here's an example:</p> <p>If a key on the digital piano is pressed, digital data packets are sent from MIDI In to MIDI out (MIDI-OUT). The data packets contain information on pitch, keyboard dynamic and the duration of the keystroke. The data packets output can be e.g. recorded, stored, played back on the computer and also displayed as notation on the screen if the application is able to do this.</p> <p>Recorded MIDI data can then be sent to a MIDI instrument, e.g. a digital piano, to make it audible again.</p>
GM	<p>General MIDI defines a lot more than what is defined in the basic MIDI protocol. It combines hardware and protocol specifications. General MIDI also specifies content. For this, GM sets a minimum standard for the assignment of the instruments to 128 program places. According to GM, a compatible GM MIDI instrument must be able to generate 24 sounds simultaneously. Furthermore, according to GM, additional control parameters are defined, such as e.g. effect control.</p>
General MIDI standard sounds	<p>Sounds or instruments in compliance with the specifications of the General MIDI standard protocol</p>
Reverb	<p>This simulates a room environment. It is preconfigured for some sounds to give them a more lively and realistic appeal.</p>
Chorus	<p>The chorus effect adds another slightly detuned note to every note that is played. This produces a fuller ensemble like impression.</p>
Samples	<p>Samples are audio clip recordings from natural instruments. All sounds of sampled instruments are recorded and saved to logically defined locations. This then leads to an organized sum of sampled single notes, which, when played back, sound like the originally sampled natural instrument.</p>
Polyphony	<p>Maximum number of simultaneously playable notes. A high number of simultaneously playable notes ensure a highly natural sound impression.</p>

9.2

WARRANTY

Warranty for a period of 2 years from the date of purchase on hardware and workmanship is granted by the dealership where the digital piano was originally bought. In the event of a defect the buyer has in the first instance, exclusively the right receive a supplementary performance. Supplementary performance includes either rectification or supply of a replacement product. Equipment or exchanged parts become to be the property of the processing dealership.

In the event the rectification should fail, the buyer may demand a reduction on the purchase price or withdraw from the contract and, if the dealership is responsible for the defect, demand compensation for damages and/or expenses deriving from the defect(s).

The buyer must inform the dealer immediately on any defects identified. The only way to prove a warranty claim is that the buyer can present a valid proof of purchase, e.g. invoice. Damage arising from incorrect handling, operation or storage as well as by force majeure or other external influences, does not comply with the warranty terms, nor in addition does the use of consumer products such as e.g. rechargeable batteries, strings, skins or seals.

If you suspect to have a claim covered by the warranty terms regarding your GEWA digital piano, please contact your dealer during regular business hours.

10

TROUBLESHOOTING AND POSSIBLE SOLUTIONS

With the tips listed here you can possibly fix occurring faulty behavior of your digital piano on your own. Should your efforts still not be successful please contact your next specialized dealership.

POSSIBLE CAUSE AND SOLUTION

Defect	Possible cause	Possible solution
The device can not be switched on	<ul style="list-style-type: none"> • The mains plug is not plugged in • The mains adapter is not correctly connected 	<ul style="list-style-type: none"> • Check the mains adapter and its connections. If necessary reconnect it..
Clicking noise when switching on/off	<ul style="list-style-type: none"> • This is normal and can happen when the digital piano is switched on and off. 	
Static noise comes from the speakers during operating	<ul style="list-style-type: none"> • Interference with other devices (e.g. mobile phones). 	<ul style="list-style-type: none"> • Increase the distance between the digital piano and the other devices or switch the other devices off.
The sound is much too quiet or cannot be heard at all.	<ul style="list-style-type: none"> • The volume control is set too low. 	<ul style="list-style-type: none"> • Set the volume control louder. Headphones are connected. • Remove the headphones.
The pedals do not function correctly	<ul style="list-style-type: none"> • The pedal cable is not connected properly. 	<ul style="list-style-type: none"> • Check if the pedal cable is firmly connected to the socket. • If necessary reconnect it.

11

TECHNICAL DATA

Name	Feature
Dimensions WxDxH (with musical sheet rest)	137,6 x 80 x 42,0 cm
Weight	32 kg
Power input	max 75 Watt
Keyboard	88 keys, weighted, Fatar Grand Touch System
Attack dynamic	4 levels (light, standard, artist and off)
Pedals	Soft-, Sostenuto- and Piano-Pedal
Sound source	GEWA music Samples 6-Layer
Polyphonie	Max. 256 tones
Number of internal sounds	20
Amplifier output RMS	2 x 20 Watt
Speakers	2 pcs Fullrange-Stereo-speakers
Recording function	integrated recorder
Recording format	Standard MIDI-file (Format 0, SMF)
Connections	<ul style="list-style-type: none"> - Connection for mains adapter - MIDI IN - MIDI OUT - Aux In - Aux Out - 2 x Headphone sockets (6,3 mm jack) - USB Type B / to Host - Sustain Pedal Input

Manufacturer:
GEWA music GmbH
Werkstraße 1
08626 Adorf
GERMANY
www.gewamusic.com
Version 1.0



changes and errors excepted